

Description and Application

The stem-mounted ICI-1005 pressure gauge is designed for reliable, long-term service under rugged conditions. It is intended for applications that are non-corrosive to brass. Possible applications include measuring pressures in pumps, compressors, hydraulic, and pneumatic systems.

The ICI-1005 features a two-inch dial marked with 0–30 psi and 0–2 bar (200 kPa) with an accuracy of 2% of full scale at midrange and 3% of full scale at end ranges.



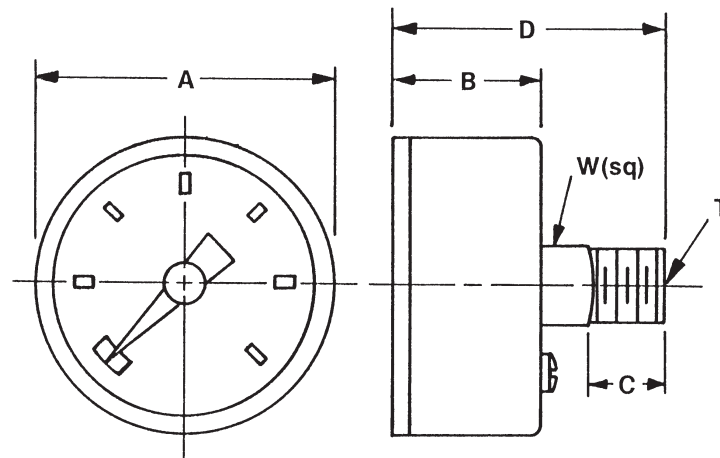
Features/Specifications

- ◆ 0–30 psi and 0–2 bar (200 kPa) range
- ◆ Two-inch dial face
- ◆ Stem mounting with 1/8-inch MPT center back connection
- ◆ Complies with ANSI Standard B40.1-1974
- ◆ Accuracy of 2% of full scale at midrange and 3% of full scale at end ranges
- ◆ Steel case and polycarbonate lens

⚠ CAUTION

May only be used in applications that are non-corrosive to brass. Pneumatic devices must be supplied with clean, dry control air. Any other medium (e.g., oil or moisture contamination) will cause the device to fail.

Dimensions



Dimensions are in inches (mm)

| A | B | C | D | T | W |
|---------|--------------|------------|---------------|----------|-------------|
| 2" (51) | 1-1/16" (27) | 7/16" (11) | 1-15/16" (49) | 1/8" NPT | 17/32" (13) |



KMC Controls, Inc.

19476 Industrial Drive, New Paris, IN 46553

574.831.5250

www.kmcccontrols.com

info@kmcccontrols.com