

Installation Guide

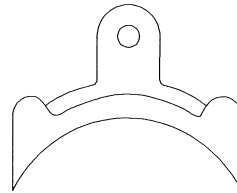
Required Tools

- digital voltmeter
- small phillips screwdriver
- small flatblade screwdriver

Mounting

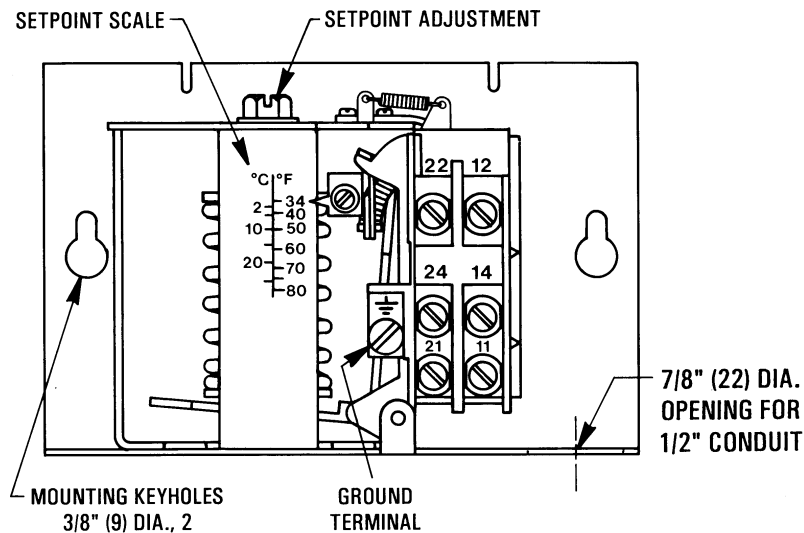
1. Remove the cover
2. Using the two 3/8" mounting keyholes (see diagram below) mount the case flush against the duct work, or any flat surface.
3. Install the sensing capillary in a horizontal serpentine fashion across the leaving side of a water coil.
4. Using the HMO-4523 Capillary Clip (five included), support the sensing capillary to prevent damage from vibration and/or air movement.

HMO-4523
CAPILLARY CLIP



Wiring

Refer to the wiring diagram before making connections.



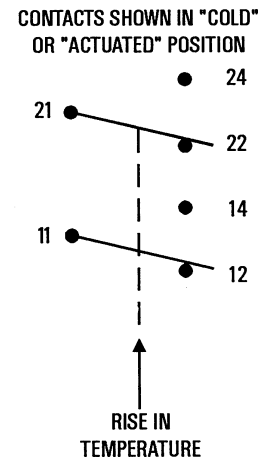
Adjustments

The setpoint is the temperature at which contacts "11" and "14", and "21" and "24" open as the unit senses a fall in temperature.

To adjust the setpoint:

- Turn the range adjustment screw CW to decrease the setpoint.
- Turn the range adjustment screw CCW to increase the setpoint.

A manual test lever located under the cover allows the unit to be manually actuated during system tests.



Maintenance

No routine maintenance is required. Each component's design and manufacture assures dependable long-term reliability and performance.

KMC Controls

P.O. Box 497
19476 Industrial Drive
New Paris, IN 46553
U.S.A.

TEL: 574.831.5250

FAX: 574.831.5252

E-mail: info@kmccontrols.com