

### Description and Application

KMC MEP-425 series direct-coupled, spring-return actuators are designed to control small- and medium-sized dampers requiring fail-safe operation.

The MEP-425 Series actuators mount to 1/4" to 3/4" diameter shafts or 1/4" to 1/2" square shafts. The actuators produce 62 in-lbs. of torque, running and spring return minimum, over a maximum 95° rotation.

Two-position, tri-state, and 0 to 10 VDC models are available with pre-cabled wiring and integrated conduit adapter.

### Features

- ◆ Spring-return fail safe
- ◆ Two-position, tri-state, and 0-to-10 VDC models
- ◆ Direct mounting to common shaft sizes
- ◆ Integrated conduit adapter
- ◆ Pre-cabled three-foot wiring

### Models

Model	Control Signal	Power Supply	Feedback	Auxiliary Switches
MEP-425100	2 Position, 24 VAC/VDC	24 VAC/VDC	None	None
MEP-425300	2 Position, 120 VAC	120 VAC		
MEP-425500	Tri-State, 24 VAC/VDC	24 VAC/VDC		
MEP-425502				
MEP-425600	0-10 VDC	24 VAC/VDC	0-10 VDC	None
MEP-425602				2 SPDT

### Accessories

HCO-1151 12-7/16 x 7 x 3-1/4" weather enclosure



### Specifications

#### Supply Voltage

24 V Units VAC ±20% (50/60 Hz)  
VDC ±15%

120 V Units VAC ±10% (50/60 Hz)

#### Current Input

24 V Units 5 VA (AC) or 3.5 W (DC)  
120 V Units 7 VA (AC) or 5 W (DC)

#### Control Input

2-Position  
24 VAC/VDC MEP-425100  
120 VAC MEP-425300  
Tri-state, 24 VAC/VDC  
MEP-425500  
MEP-425502

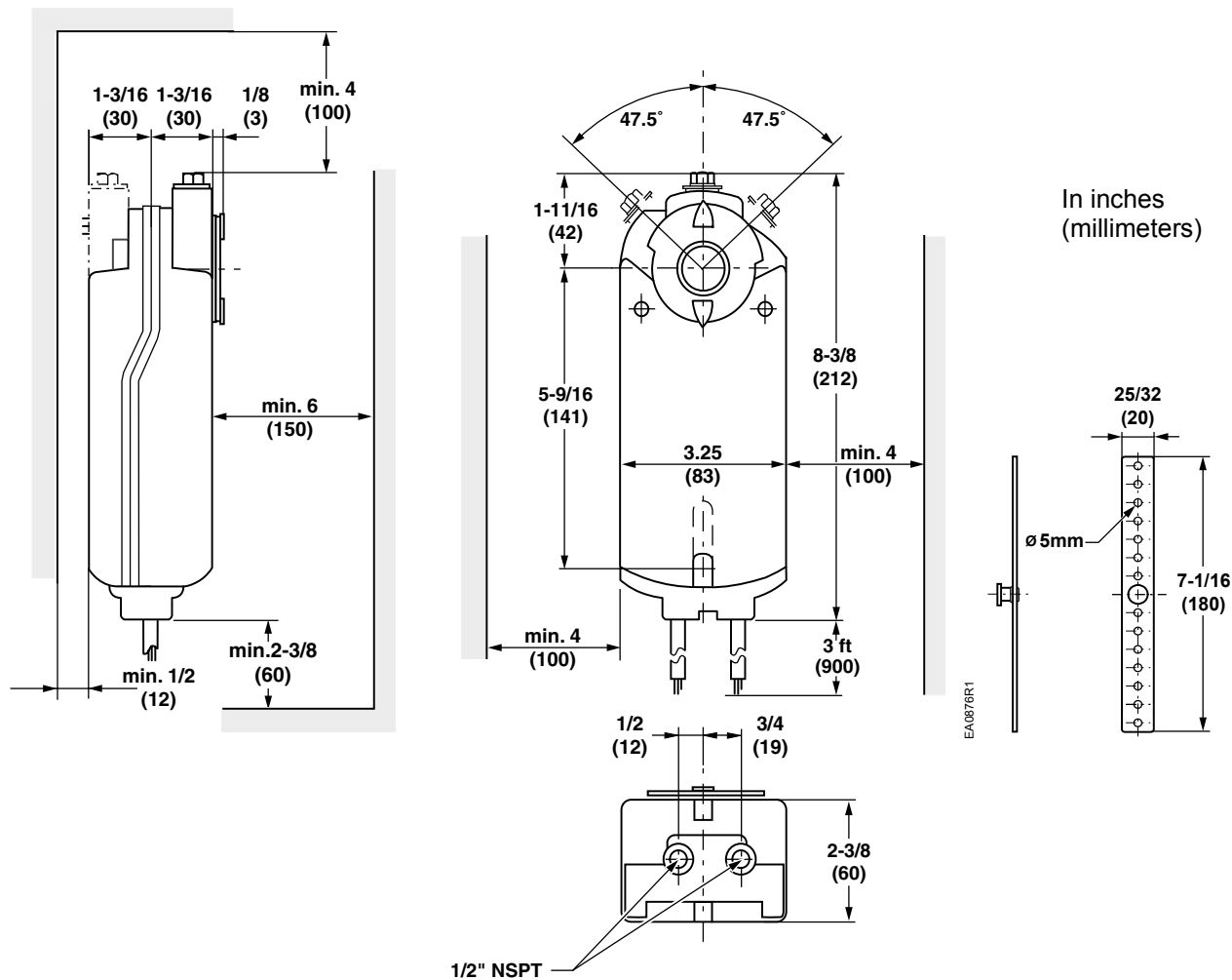
0 to 10 VDC  
MEP-425600  
MEP-425602

**Feedback (0-10 VDC)** MEP-425600, MEP-425602

**Auxiliary Switches** MEP-425502, MEP-425602

Type Dual SPDT  
Rating 6 A resistive, 2 A inductive @ 24 to 230 VAC  
Switching Range From 5 to 90° in 5° increments

## Dimensions



## Specifications (Cont.)

<b>Torque</b>	62 in-lbs. (7 N•m)	<b>Weight</b>	2.9 pounds (1.3 kg)
<b>Angular Rotation</b>	90° nominal (95° max.)	<b>Dimensions</b>	8-3/8 H x 3-1/4 W x 2-2/3" D (212 x 83 x 68 mm)
<b>Motor Timing</b>	90 seconds	<b>Temperature Limits</b>	
<b>Spring Return Time</b>	15 seconds typical (60 seconds max. @ -25° F)	Operating	-25 to 130° F (-32 to 55° C)
<b>Noise Level</b>	< 45 dBA	Shipping	-40 to 158° F (-40 to 70° C)
<b>Mounting</b>	Direct to 1/4" to 3/4" (6.4 to 20.5 mm) round, or 1/4" to 1/2" (6.4 to 13 mm) square secured by self-centering shaft coupling and non-rotational mounting bracket (supplied with unit)—minimum damper shaft length is 3/4" (20 mm)	Humidity	95% RH non-condensing
<b>Connections</b>	Pre-cabled, 18 AWG, 3-foot (0.9 m) length	<b>Regulatory</b>	CE compliant, cUL (C22.2 No. 24-93) listed, UL 60730 (replaces UL873)
<b>Enclosure</b>	Die cast aluminum alloy, NEMA 1 IP54 per EN60529		

### KMC Controls, Inc.

19476 Industrial Drive

New Paris, IN 46553

574.831.5250

[www.kmcccontrols.com](http://www.kmcccontrols.com); [info@kmcccontrols.com](mailto:info@kmcccontrols.com)