

Description and Application

The KMC MEP-455 Series direct-coupled, spring-return actuators are designed to control dampers and valves requiring fail-safe operation.

The MEP-455 series actuators mount to 3/8" to 1" diameter shafts or 1/4" to 3/4" square shafts. The actuators produce 160 in-lbs. of torque, running and spring return minimum, over a maximum 95° rotation. (This series was previously rated at 142 in-lbs. but was re-rated at 160 when a more powerful motor was incorporated.)

Two-position and 0 to 10 VDC models are available with pre-cabled wiring and integrated conduit adapter.

Features

- ◆ Spring-return fail safe
- ◆ Two-position and 0-to-10 VDC models
- ◆ Direct mounting to common shaft sizes
- ◆ Integrated conduit adapter
- ◆ Pre-cabled three-foot wiring

Models

Model	Control Signal	Power Supply	Feedback	Auxiliary Switches
MEP-455100	2 Position, 24 VAC/VDC	24 VAC/VDC	None	None
MEP-455300	2 Position, 120 VAC	120 VAC		
MEP-455600	0-10 VDC	24 VAC/VDC	0-10 VDC	2 SPDT
MEP-455602				

Accessories

HCO-1152 15-3/8 x 8-1/4 x 4-1/16" weather enclosure



Specifications

Supply Voltage

24 V Units VAC ±20% (50/60 Hz)
VDC ±10%

120 V Units VAC ± 10% (50/60 Hz)

Current Input

7 VA (AC) or 5 W (DC)

Control Input

2-Position

24 VAC/VDC

120 VAC

0 to 10 VDC

Feedback (0-10 VDC)

Auxiliary Switches

Type

Rating

Switching Range

Torque

Angular Rotation

MEP-455100

MEP-455300

MEP-455600, MEP-455602

MEP-455600, MEP-455602

MEP-455602

Dual SPDT

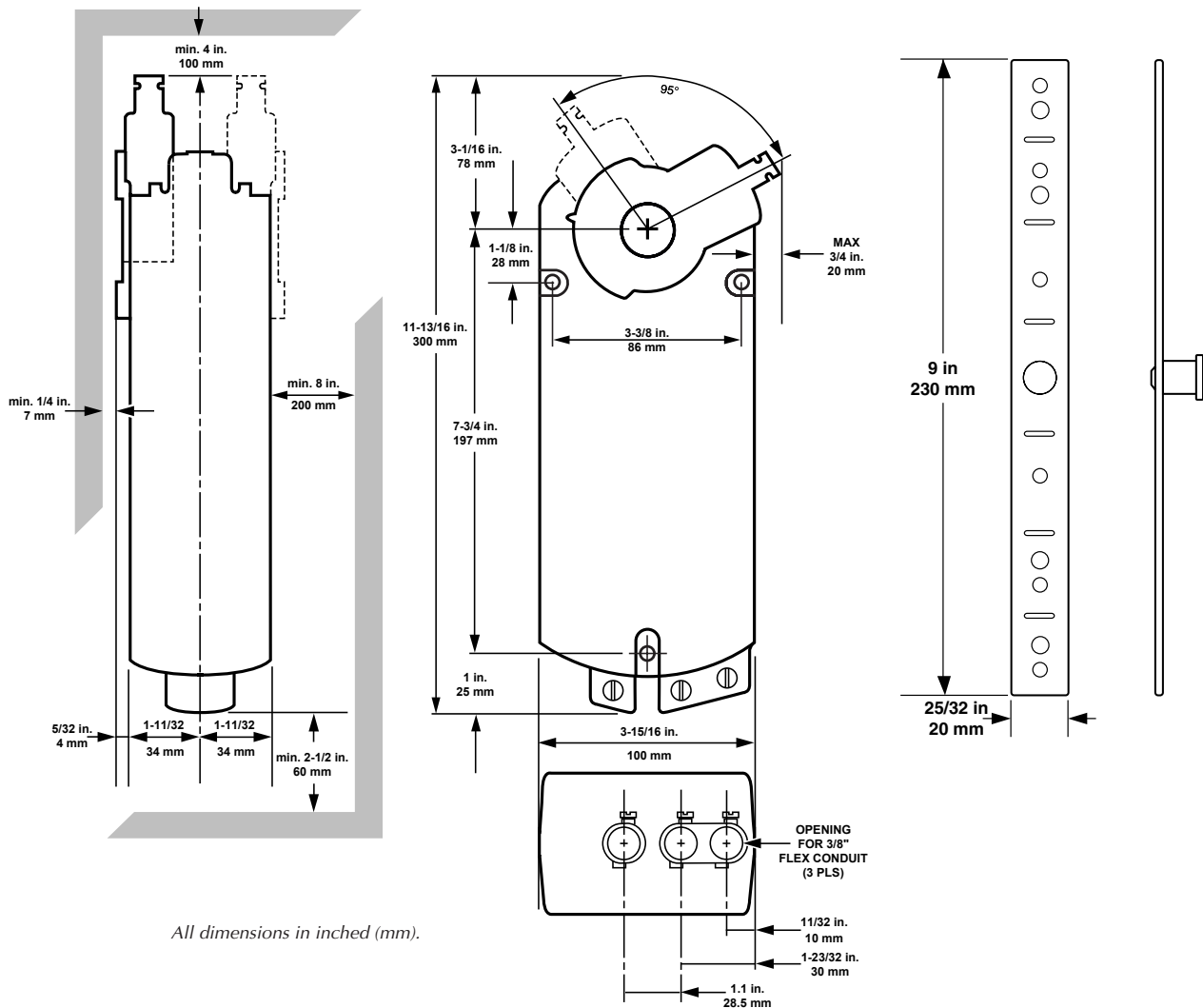
6 A resistive, 2 A inductive @ 24 to 230 VAC

From 5 to 90° in 5° increments

160 in-lbs. (18 N•m); at -25° F, the spring return is 142 in-lbs. (16 N•m)

90° nominal (95° max.)

Dimensions



Specifications (Cont.)

Motor Timing	90 seconds
Spring Return Time	15 seconds, typical; 30 seconds, maximum
Noise Level	< 45 dBA
Mounting	Direct to 3/8" to 1" (8 to 25.6 mm) round, or 1/4" to 3/4" (6 to 18 mm) square secured by self-centering shaft coupling and non-rotational mounting bracket (supplied with unit) — minimum damper shaft length required is 3/4" (20 mm)
Connections	Pre-cabled, 18 AWG, 3-foot (0.9 m) length
Enclosure	Die cast aluminum alloy, NEMA 2, IP54 per EN60529
Weight	4.85 pounds (2.2 kg)

Dimensions	12 H x 4-3/4 W x 2-7/8" D (305 x 120 x 72 mm)
Temperature Limits	Operating: -25 to 130° F (-32 to 55° C) Shipping: -40 to 158° F (-40° to 70° C)
Humidity	95% RH non-condensing
Regulatory	CE compliant, cUL (C22.2 No. 24-93) listed, UL 60730 (replaces UL873)

KMC Controls, Inc.
19476 Industrial Drive
New Paris, IN 46553
574.831.5250

www.kmcccontrols.com; info@kmcccontrols.com