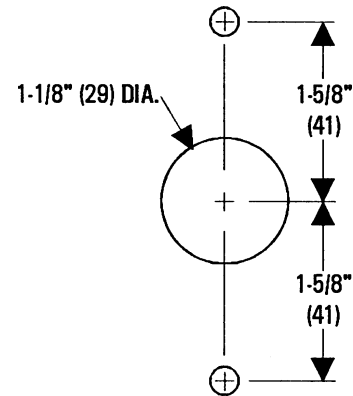


Installation Guide

Mounting

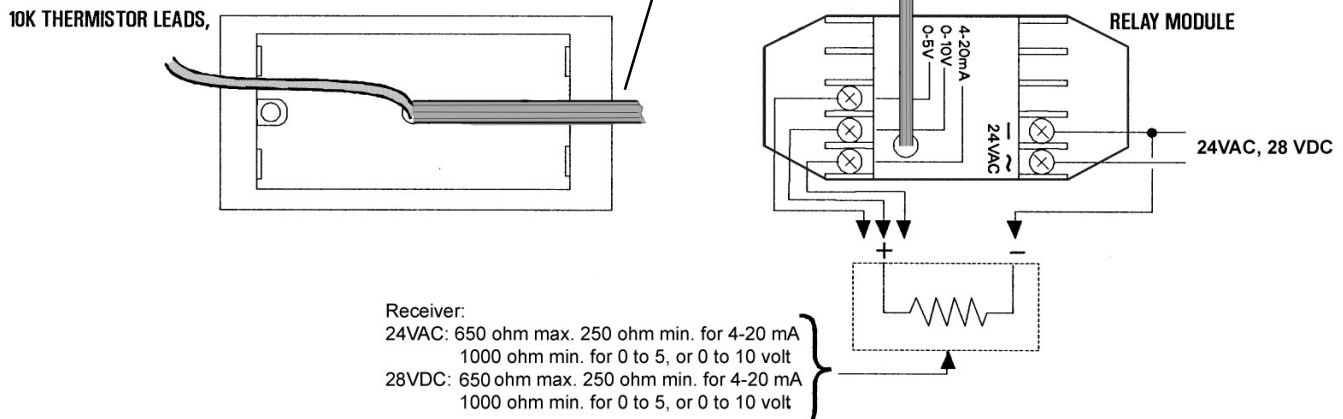
1. Drill a 1-1/8" clearance hole in the duct.
2. Measure 1-5/8" to either side of the center of the clearance hole and drill two holes for mounting screws.
3. Insert the probe into the duct.
4. Insert the mounting screws but do not tighten completely.
5. Using the slotted mounting holes in the electrical box, slide the unit housing over the mounting screws.
6. Level the unit and tighten the mounting screws.



Wiring

Refer to the wiring diagram.

NOTE: The relay mounted inside the electrical housing is hard-wired to the sensing probe. **DO NOT** lengthen or shorten this ribbon cable.



Maintenance

No routine maintenance is required. Each component is designed for dependable, long term reliability and performance. Careful installation will also ensure long term reliability and performance.

KMC Controls
P.O. Box 497
19476 Industrial Drive
New Paris, IN 46553
U.S.A.
TEL: 574.831.5250
FAX: 574.831.5252
E-mail: info@kmccontrols.com