

Description

These Zone Control valves are designed for the control of hot or chilled water in radiation, fan coil, and other terminal unit applications. The VEP-15 series uses a straight through valve body design while the VEP-25 series have right angle bodies. Both series are available in 1/2", 3/4", and 1" line sizes. The compact size allows for easy installation within small enclosures. The fully enclosed actuator has 39" lead wires, and is easily removed, or installed via the knurled nut.

These valves utilize two different types of actuators; tri-state or proportional. The tri-state actuator requires separate 24 VAC signals to drive the actuator open or closed. With both signals off, the actuator is motionless. The proportional actuators require a 24 VAC power source and a 2 to 10 VDC input signal to drive the actuator from closed to open. Two proportional models are available; 2 to 10 VDC or 10 to 2 VDC operation. The proportional actuator switches off at the full open or closed position. The proportional actuator also recalibrates the closed to open stroke to the control signal after 4,000 cycles or after a power failure.

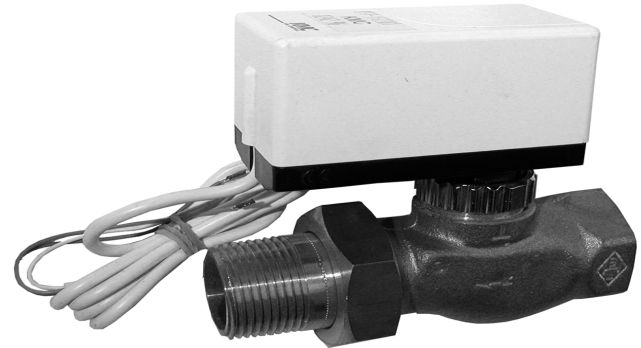
Features

- ◆ Tri-State or Proportional Actuators
- ◆ Compact size
- ◆ Fully enclosed electric actuator

Accessories/Repair Parts

The following accessories and repair parts are available for these models:

HPO-5021	3/4" union nut
HPO-5022	1" union nut
HPO-5030	1/2" bonnet assembly; 2.00 Cv
HPO-5031	1/2" bonnet assembly; 2.60 Cv
HPO-5032	3/4" bonnet assembly; 2.95 Cv
HPO-5033	3/4" bonnet assembly; 4.25 Cv
HPO-5035	1/2" bonnet assembly; 1.60 Cv
HPO-5058	1/2" union nut
HPO-5059	1/2" MPT union
HPO-5062	3/4" MPT union

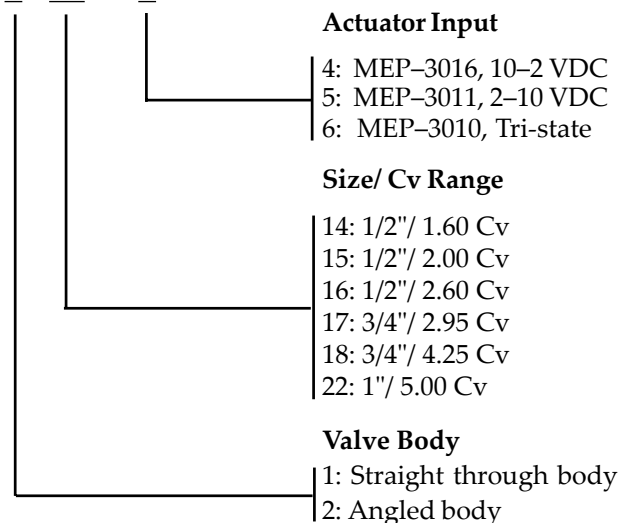


HPO-5063	1" MPT union
HPO-5065	1/2" replacement disc; 2.00 Cv
HPO-5066	1/2" replacement disc; 2.60 Cv
HPO-5067	3/4" replacement disc; 2.95 Cv
HPO-5068	3/4" replacement disc; 4.25 Cv
MEP-3010	24 VAC Tri-state
MEP-3011	24 VAC, 2-10 VDC
MEP-3016	24 VAC, 10-2 VDC

Models

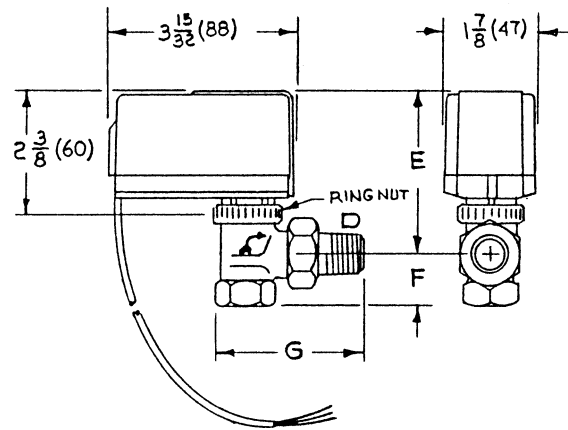
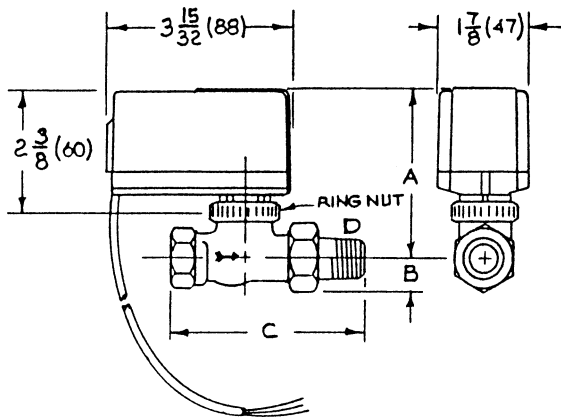
Use the following chart to make your model selection:

VEP-X 5 YY 019 Z



Details

All dimensions in inches (mm).



VEP-15 SERIES						VEP-25 SERIES				
DIMENSION	A	B	C	D	WEIGHT	E	F	G	WEIGHT	
1/2"	Cv. 1.60	3-7/32" (82)	21/32" (17)	3-9/16" (91)	1/2" NPT	1.10 lb. (.49 kg)	3-7/32" (82)	1" (25)	2-3/4" (70)	1.10 lb. (.49 kg)
	Cv. 2.00					1.46 lb. (.66 kg)				1.46 lb. (.66 kg)
	Cv. 2.60									
3/4"	Cv. 2.95	3-9/32" (83)	13/16" (21)	4-7/16" (113)	3/4" NPT	1.27 lb. (.58 kg)	3-3/16" (81)	1-1/8" (29)	3-13/32" (87)	1.27 lb. (.58 kg)
	Cv. 4.25	3-9/16" (91)				1.47 lb. (.67 kg)	3-11/32" (85)	1-1/8" (24)	3-15/32" (88)	1.47 lb. (.67 kg)
1"	Cv. 5.00	3-7/16" (87)	1-1/16" (27)	5-9/16" (141)	1" NPT	1.90 lb. (.86 kg)	3-7/16" (87)	1-1/2" (38)	3-27/32" (98)	1.90 lb. (.86 kg)

Specifications

Body Style

Straight Through VEP-15 Series
Right Angle VEP-25 Series

Sizes & Cv Ratings

1/2" 1.60, 2.00 and 2.60 Cv
3/4" 2.95 and 4.25 Cv
1" 5.00 Cv

Maximum Differential

1/2", 1.60 Cv 145 psi (1000 kPa)
1/2", 2.00 Cv 105 psi (723 kPa)
1/2", 2.60 Cv 57 psi (393 kPa)
3/4", 2.95 Cv 76 psi (524 kPa)
3/4", 4.25 Cv 20 psi (137 kPa)
1", 5.00 Cv 24 psi (165 kPa)

Actuator Input Tri-state, 24 VAC (MEP-3010)
2 to 10 VDC (MEP-3011)
10 to 2 VDC (MEP-3016)

Power Requirements

MEP-3010 24 VAC +25/-10% @0.7 VA
MEP-3011/3016 24 VAC +25/-35% @ 1.5VA

Stroke Timing

MEP-3010 140 seconds
MEP-3011/3016 50 seconds

Body Ratings

168 psi (1163 kPa) @ 212° F
232 psi (1599 kPa) @ 35.6° F

Connections

Inlet FPT
Outlet MPT

Material

Body and Seat Bronze
Packing Double O-ring
Disc EPDM
Stem Stainless Steel

Temperature Limits

Medium 35.6° to 212° F (2° to 100° C)
Ambient 32° to 120° F (0° to 49° C)
Shipping 0° to 140° F (-18° to 60° C)

KMC Controls, Inc.

19476 Industrial Drive
New Paris, IN 46553
574.831.5250

www.kmcccontrols.com