

Description and Application

The electronic KMC VEG-43 series control globe valves are two-way, straight-through valves for control of hot water, chilled water, or low pressure steam. Valves are single-seated and range in size from 1/2" to 2" with equal percentage flow characteristics. Self-adjusting packing and stainless-steel stems make these valves ideal for many applications.

These control valves use KMC ControlSet actuators. An optional "fail-safe" feature allows failure to an open or closed position upon loss of 24 VAC supply. A gear disengagement feature allows positioning of the valve stem/plug without energizing the actuator. These valves meet ANSI Class IV specifications.

Features

- ◆ Choice of tri-state (floating) or proportional inputs and fail-safe (with switch-selectable direction) or non-fail-safe ControlSet actuators
- ◆ Self-adjusting packing
- ◆ Stainless-steel stems
- ◆ Gear disengagement for manual valve operation
- ◆ Equal percentage flow characteristics

Accessories/Repair Parts

With All Actuators

HPO-5013 Replacement packing kit

With MEP-5372/5373 Actuators (Only)

CME-1002 Single auxiliary switch
 CME-1004 Dual auxiliary switch
 HMO-4518 Snap-in connector for 1/2" flexible metal conduit
 HMO-4520 Compression connector for plenum cable
 HMO-4526 Female connector for 1/2" conduit

With MEP-72xx Actuators (Only)

CME-7001 Rotary auxiliary cam switch, single
 CME-7002 Rotary auxiliary cam switch, double



With
MEP-4801/4802
Actuator

With
MEP-5372/5373
Actuator

With
MEP-7200 Series
Actuator

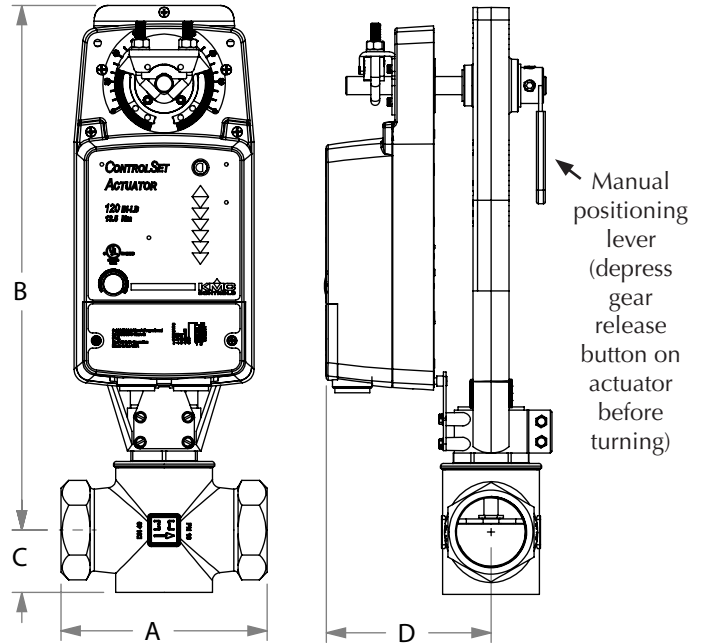
Specifications

Action	Stem up to open; full CCW
Rangeability	30 to 1
Body Rating	250 psi (1724 kPa)
Valve Sizes	1/2" through 2" NPT
Body Type	2-way, single-seated, NPT female connections
Flow Characteristics	Equal percentage
Sizes & Cv Ratings	1/2" = 4.6; 3/4" = 6.9; 1" = 11.6; 1-1/4" = 18.5; 1-1/2" = 29.0; 2" = 46.4
Leakage Rating	ANSI Class IV (0.01% of Cv)
Steam Rating	15.3 psig (105 kPa)
Actuators	See Models section and respective actuator data sheet
Material	
Valve	Bronze body and seat; 303 stainless-steel stem; brass plug w/ EPM discs; EPM V-ring type, self-adjusting packing
Linkage	Glass-filled nylon; black
Temperature Limits	
Medium	35° to 250° F (2° to 121° C)
Ambient	35° to 120° F (2° to 49° C)
Shipping	-40° to 140° F (-40° to 60° C)

Models and Details

Model #	Size/Cv	Close-Off (psi)	Actuator	Weight (lbs.)
VEG-4302JR	EF	1/2"/4.6	MEP-4801, tri-state	5.9
	EK	1/2"/4.6	MEP-4802, 0-10 VDC	5.9
	DH	1/2"/4.6	MEP-5373, tri-state, fail-safe	7.3
	DL	1/2"/4.6	MEP-5372, 2-10 VDC, fail-safe	7.3
VEG-4303DR	EF	3/4"/6.9	MEP-4801, tri-state	6
	EK	3/4"/6.9	MEP-4802, 0-10 VDC	6
	DH	3/4"/6.9	MEP-5373, tri-state, fail-safe	7.4
	DL	3/4"/6.9	MEP-5372, 2-10 VDC, fail-safe	7.4
VEG-4304CR	FF	1"/11.6	MEP-7201, tri-state	10.3
	FK	1"/11.6	MEP-7202, 0-10 VDC	10.3
	FH	1"/11.6	MEP-7251, tri-state, fail-safe	10.8
	FL	1"/11.6	MEP-7252, 0-10 VDC, fail-safe	10.8
VEG-4305AR	FF	1-1/4"/18.5	MEP-7201, tri-state	11.2
	FK	1-1/4"/18.5	MEP-7202, 0-10 VDC	11.2
	FH	1-1/4"/18.5	MEP-7251, tri-state, fail-safe	11.7
	FL	1-1/4"/18.5	MEP-7252, 0-10 VDC, fail-safe	11.7
VEG-4306AR	FF	1-1/2"/29.0	MEP-7201, tri-state	13.3
	FK	1-1/2"/29.0	MEP-7202, 0-10 VDC	13.3
	FH	1-1/2"/29.0	MEP-7251, tri-state, fail-safe	13.8
	FL	1-1/2"/29.0	MEP-7252, 0-10 VDC, fail-safe	13.8
VEG-4308AR	FF	2"/46.4	MEP-7201, tri-state	15.7
	FK	2"/46.4	MEP-7202, 0-10 VDC	15.7
	FH	2"/46.4	MEP-7251, tri-state, fail-safe	16.2
	FL	2"/46.4	MEP-7252, 0-10 VDC, fail-safe	16.2

All actuators are linked CW to close



Size NPT	Dimensions in inches (mm)			
	A	B	C	D
1/2"	3.35 (85)	14.00 (356)	1.50 (38)	4.06 (103)
3/4"	3.35 (85)	14.00 (356)	1.50 (38)	4.06 (103)
1"	4.13 (105)	14.19 (360)	1.77 (45)	4.58 (116)
1-1/4"	4.72 (112)	14.31 (363)	1.89 (48)	4.58 (116)
1-1/2"	5.71 (145)	14.59 (371)	2.24 (57)	4.58 (116)
2"	6.50 (165)	14.94 (379)	2.64 (67)	4.58 (116)

KMC Controls, Inc.

19476 Industrial Drive, New Paris, IN 46553

574.831.5250

www.kmcccontrols.com; info@kmcccontrols.com