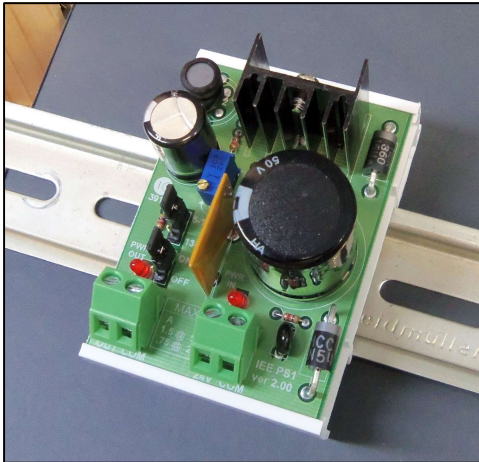


IEE PS1 ver 2:
SWITCHING POWER SUPPLY, 1.5 Ampères (7 - 24Vac to 4,5 - 24Vdc)
Adjustable from 4,5v to 24vcc on 2 levels



Compatible avec rail DIN

- Input voltage :** 7 to 28 Vac (24VA min.)
- Redressement :** 1 Diode (half wave)
- Power :** 2 Amp max.
- Output voltage :** Adjustable from 4.5v to 100% of input voltage
Factory set at 5v
- Power factor :** 60% (2 Amp output need 3.5A input)
- Regulation :** 3% (Voltage drop vs max. charge)
- Protection :** Overheat and short circuits (output drops to 0.5v)
Overcharge : > 2,25 Amp , fuse open
- Operation temp. :** Ambient -40° to 50°C (-40° to 122°F)
- Humidité :** 5 to 95% HR no condensation
- Dimension : L x W x H** 70mm x 42mm x 70mm (2.75" x 3.00" x 2.75")
- Weight :** 160 g (5 ounces)

Terminals :
2.5mm cage
12 to 22 gauge
16 Amp, 300 Vac
UL Flame Class 94 V-0

Printed board :
FR4 Fire retardant
UL Flame Class 94 V-0

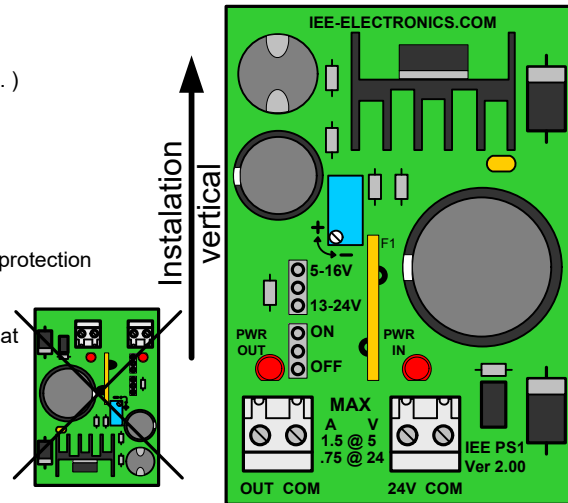
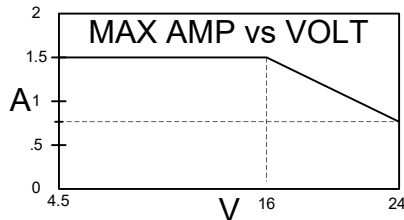
Snap track :
PVC , DIN rail compatible
UL Flame Class 94 V-0



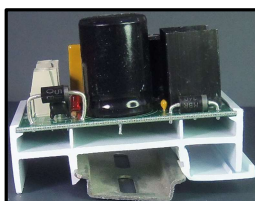
ADJUSTEMENT and FUNCTION

- POT:** Adjuste from 4,5v to 100% of input voltage (2 Amp max.)
- J1 :** Used as output On/Off switch
- J2 :** 2 adjustment levels : 5 to 16v and 13 to 24v
- F1 :** PTC fuse 3 amp. , resettable overcurrent protection

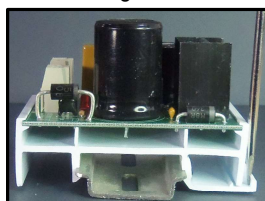
- LED PWR IN :** Shows voltage at the input
- PWR OUT :** Shows voltage at the output
- Off when :** Fuse is overcurrent protection
J1 at OFF position
Short circuit
Regulator in Overheat protection



Installation
Insert from left side



Press on right side



Remove with flat screw driver

