



Functional Devices, Inc.  
 310 South Union Street  
 Russiaville, IN 46979  
 www.FunctionalDevices.com

Office 765.883.5538  
 Sales 800.888.5538  
 Fax 765.883.7505  
 Email sales@functionaldevices.com

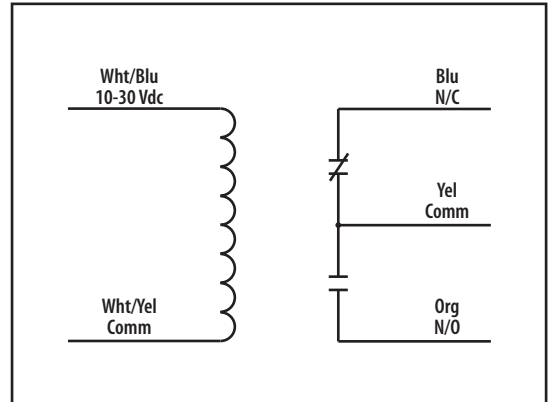
**RIBL1C-DC** | Enclosed Relay 10 Amp SPDT with 10-30 Vdc Limited Inrush Coil



**Contact Ratings:**  
 10 Amp Resistive @ 120-277 Vac  
 10 Amp Resistive @ 28 Vdc  
 480 VA Pilot Duty @ 240-277 Vac  
 480 VA Ballast @ 277 Vac  
 600 Watt Tungsten @ 120 Vac N/O  
 240 Watt Tungsten @ 120 Vac N/C  
 1/3 HP for N/O @ 120-240 Vac  
 1/6 HP for N/C @ 120-240 Vac  
 1/4 HP for N/O @ 277 Vac  
 1/8 HP for N/C @ 277 Vac

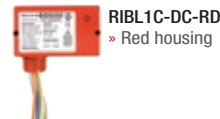
**Coil Current:**  
 12 mA @ 10 Vdc  
 14 mA @ 12 Vdc  
 16 mA @ 24 Vdc  
 18 mA @ 30 Vdc

**Coil Voltage Input:**  
 10-30 Vdc  
 Drop Out = 2.8 Vdc  
 Pull In = 10 Vdc



**SPECIFICATIONS**

- # Relays & Contact Type: One (1) SPDT Continuous Duty Coil
- Expected Relay Life: 10 million cycles minimum mechanical
- Operating Temperature: -30 to 140° F
- Operate Time: 20mS
- Relay Status: LED On = Activated
- Dimensions: 1.70" x 2.80" x 1.50" with .50" NPT nipple
- Wires: 16", 600V Rated
- Approvals: UL Listed, UL916, UL864, C-UL  
California State Fire Marshal, CE
- Housing Rating: Plenum, NEMA 1
- Gold Flash: Yes
- Override Switch: No



**NOTES**