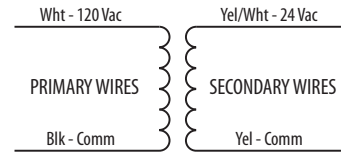
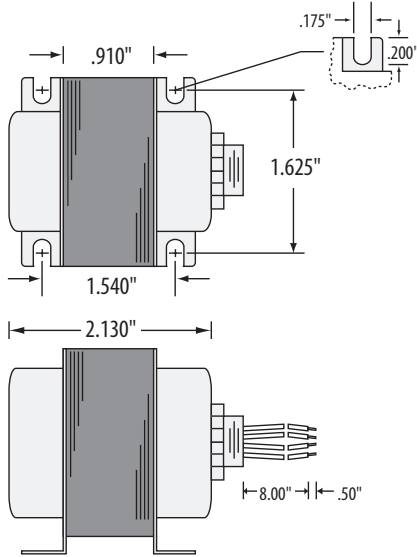




Functional Devices, Inc.
 310 South Union Street
 Russiaville, IN 46979
 www.FunctionalDevices.com

Office 765.883.5538
 Sales 800.888.5538
 Fax 765.883.7505
 Email sales@functionaldevices.com

TR20VA001 | Transformer 20 VA, 120 to 24 Vac, Foot and Single Threaded Hub Mount



SPECIFICATIONS

- VA Rating: 20
- Frequency: 50/60 Hz
- Mounting: Foot & Single Threaded Hub
- Over Current Protection: Inherently Limited
- Dimensions: 2.600" x 1.890" x 2.130"
(w/ .500" NPT Hub)
- Wire Length: 8" Typical w/ .5" Strip
- Operating Temperature: -30 to 140° F
- MTBF: 100,000 Hours @ 77° F
- Construction: Split-Bobbin
- Weight: 1.35 lbs.
- Approvals: Class II UL1585 Listed, C-UL, CE

NOTES