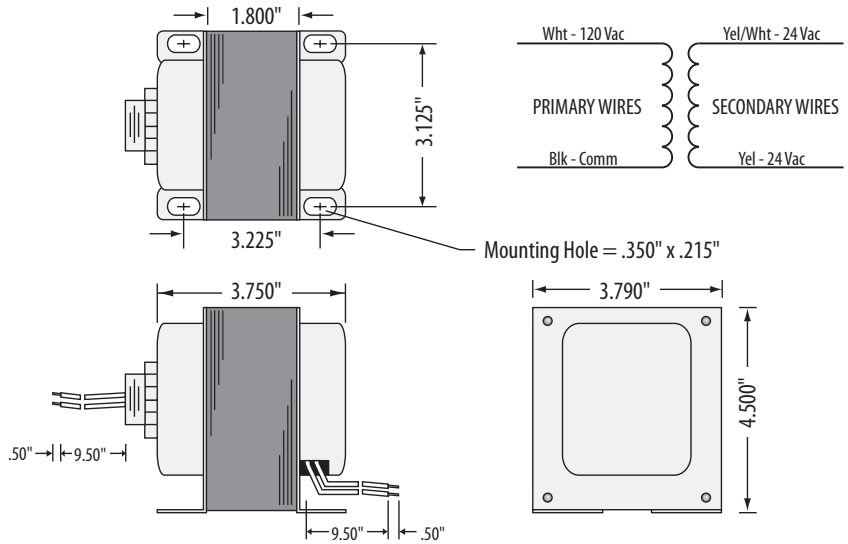


TR240VA001 | Transformer 240 VA, 120 to 24 Vac, Foot and Single Threaded Hub Mount with Bottom Opening



SPECIFICATIONS

- VA Rating: 240
- Frequency: 50/60 Hz
- Mounting: Foot & Single Threaded Hub
- Over Current Protection: None
- Dimensions: 4.500" x 3.790" x 3.750"
(w/ .500" NPT Hub)
- Wire Length: 9.5" Typical w/ .5" Strip
- Operating Temperature: -30 to 140° F
- MTBF: 100,000 Hours @ 77° F
- Construction: Split-Bobbin
- Weight: 9.12 lbs.
- Approvals: UL506 Listed General Purpose
C-UL, CE



NOTES