

AXC IN-LINE DUCT FANS



AXC In-Line Duct Fans are designed for residential, commercial and light industrial ventilation applications. The quiet, efficient backward-curved motorized impeller is capable of developing significant pressure, and the in-line configuration simplifies installation.

Features & Benefits

- Heavy gauge, drawn steel housing with baked epoxy finish
- 120V operation, other voltages available
- Easy to install - mounting brackets included
- May be mounted in any position
- Fans may be used to supply or exhaust air
- Suitable for air temperatures up to 140 F / 60 C
- Energy efficient - speed controllable (optional solid state speed control)
- Optional pre-wired with 120V power cord (AXC-C)
- Exceptionally quiet and efficient BC centrifugal motorized impeller
- External rotor motor design results in superior motor cooling and durability
- Permanently lubricated ball bearing motor for maintenance-free operation
- Automatic reset thermal overload protection
- Fan and motor are precision balanced for quiet and vibration-free operation
- Easily accessible, external junction box with pre-wired capacitor
- Available to fit duct sizes 4" - 12"; airflow capacities to 970 cfm

Controls & Accessories ~ pages 24-25

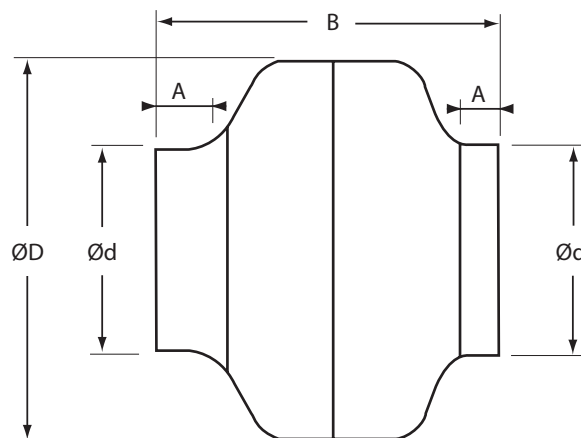
MODEL	WATTS	RPM	AIRFLOW PERFORMANCE (CFM)								
			0" SP	0.2" SP	0.4" SP	0.6" SP	0.8" SP	1.0" SP	1.2" SP	1.5" SP	2.0" SP
AXC100A-ES	43.3	2580	147	130	107	82	57	34	11		
AXC100B	83.4	2620	150	140	127	112	94	74	53	23	
AXC125A-ES	44.4	2520	179	150	121	87	49	14			
AXC125B	85.4	2750	183	160	141	122	101	77	51	14	
AXC150A-ES	46.8	2390	235	190	148	97	44				
AXC150B-ES	89.2	2450	308	260	216	175	139	108	81	47	
AXC200A-ES	84.5	2500	368	300	234	184	149	114	70		
AXC200B-ES	188	2550	579	520	453	387	329	282	245	206	154
AXC250-ES	198	2470	616	550	488	431	379	330	286	227	143
AXC300A-ES	206	2450	780	700	595	420	330	290	255	210	132
AXC300B-ES	312	2780	970	910	803	680	559	453	367	273	164

FOR PRE-WIRED WITH 120V POWER CORD, ADD -C TO MODEL.

MODEL	DIMENSIONS IN INCHES*				SHIP WT (lbs)
	ØD	Ød	A	B	
AXC100A-ES	9.5	3.9	1.0	8.3	7.5
AXC100B	9.5	3.9	1.0	8.3	8.0
AXC125A-ES	9.5	4.8	1.0	8.3	7.5
AXC125B	9.5	4.8	1.0	8.3	7.5
AXC150A-ES	9.5	5.8	1.0	8.3	7.5
AXC150B-ES	13.2	5.8	1.0	9.1	12.5
AXC200A-ES	13.2	7.8	1.0	9.1	12.0
AXC200B-ES	13.2	7.8	1.0	9.1	15.0
AXC250-ES	13.2	9.8	1.0	9.1	15.0
AXC300A-ES	15.9	11.8	1.2	11.8	18.0
AXC300B-ES	15.9	11.8	1.2	11.8	18.0

*DO NOT USE FOR CONSTRUCTION

CONSULT FACTORY FOR CERTIFIED PRINTS



DUCT FANS

AXS EC IN-LINE DUCT FANS



With its efficient electronically commutated (EC) motorized impeller, AXS EC In-Line Duct Fans set new standards for efficiency and versatility. The efficient backward-curved impeller can develop significant pressure. AXS EC fans are suitable for residential, commercial and light industrial ventilation applications.

Features & Benefits

- Efficient electronically commutated (EC) motorized impeller
- Energy efficient
- Corrosion resistant, durable steel housing with polymer coating
- 120V, 60 Hz operation; single phase
- Easy to install - mounting brackets included
- Suitable for air temperatures up to 105 F
- Optional pre-wired with 120V power cord (AXS-EC-C)
- Speed controllable 0-10 V
- External rotor motor design results in superior motor cooling
- Rated for continuous operation
- Permanently lubricated ball bearing motor for maintenance-free operation
- Automatic reset thermal overload protection
- Fan and motor are precision balanced for quiet, vibration-free operation
- Available to fit duct sizes 4" -12"
- Airflow capacities to 801 cfm

Controls & Accessories ~ pages 24-25

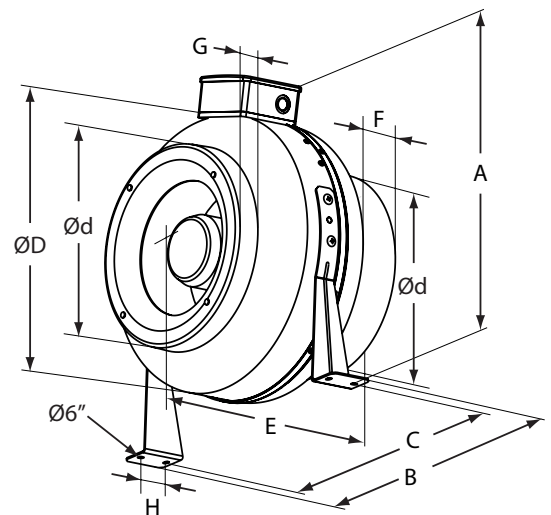
MODEL	WATTS	RPM	AIRFLOW PERFORMANCE (CFM)										
			0" SP	0.125" SP	0.2" SP	0.25" SP	0.375" SP	0.5" SP	0.75" SP	1.0" SP	1.25" SP	1.5" SP	2.5" SP
AXS100-EC	33.0	2760	151	141	135	130	120	110	90	70	49	29	
AXS125-EC	57.1	3396	248	239	231	225	211	198	170	143	115	88	
AXS150-EC	75.1	3336	306	299	291	285	272	258	231	204	176	149	40
AXS200-EC	99.0	2820	539	510	494	484	458	432	380	328	277	225	18
AXS250-EC	133.6	2628	667	600	586	577	553	530	484	438	392	346	161
AXS300-EC	173.5	2796	801	741	726	716	690	665	614	563	512	461	257

WATTS ARE INDICATED AT 100% SPEED FOR PRE-WIRED WITH 120V POWER CORD, ADD -C TO MODEL.

MODEL	DIMENSIONS IN INCHES*										SHIP WT (lbs)
	DUCT DIA.	ØD	Ød	A	B	C	E	F	G	H	
AXS100-EC	4"	10.0	3.9	13.4	12.2	10.6	8.0	0.8	1.0	1.2	7.0
AXS125-EC	5"	10.0	4.8	13.4	12.2	10.6	8.0	0.8	1.0	1.2	6.8
AXS150-EC	6"	12.0	5.8	14.2	14.2	12.6	7.9	0.8	1.0	1.2	8.2
AXS200-EC	8"	13.6	7.8	17.1	15.6	14.0	9.6	1.0	1.2	1.6	11.2
AXS250-EC	10"	13.6	9.8	17.1	15.6	14.0	9.8	1.0	1.2	1.6	12.8
AXS300-EC	12"	15.9	11.9	18.3	17.9	16.3	10.2	1.2	1.2	1.6	15.8

*DO NOT USE FOR CONSTRUCTION

CONSULT FACTORY FOR CERTIFIED PRINTS



AXP IN-LINE DUCT FANS



AXP In-Line Duct Fans are designed for residential, commercial and light industrial ventilation applications. The quiet, efficient backward-curved motorized impeller is capable of developing significant pressure, and the in-line configuration simplifies installation.

Features & Benefits

- UV and corrosion resistant, durable plastic housing
- 120V operation, other voltages available
- Easy to install - mounting brackets included
- May be mounted in any position
- Fans may be used to supply or exhaust air
- Suitable for air temperatures up to 122 F
- Energy efficient - speed controllable (optional solid state speed control)
- Optional pre-wired with 120V power cord (AXP-C)
- Exceptionally quiet and efficient BC centrifugal motorized impeller
- External rotor motor design results in superior motor cooling and durability
- Permanently lubricated ball bearing motor for maintenance-free operation
- Automatic reset thermal overload protection
- Fan and motor are precision balanced for quiet, vibration-free operation
- Easily accessible, external junction box with pre-wired capacitor
- Available to fit duct sizes 4" - 12"; airflow capacities to 837 cfm

Controls & Accessories ~ pages 24-25

MODEL	WATTS	RPM	AIRFLOW PERFORMANCE (CFM)					
			0" SP	0.2" SP	0.5" SP	0.75" SP	1.0" SP	1.5" SP
AXP100	106	3088	162	150	134	120	104	67
AXP125	114	2960	235	214	178	151	123	72
AXP150	113	2907	317	289	247	212	178	68
AXP200	142	2650	583	544	462	390	320	196
AXP250	293	2604	735	675	588	507	432	307
AXP300	271	2741	837	772	659	564	474	307

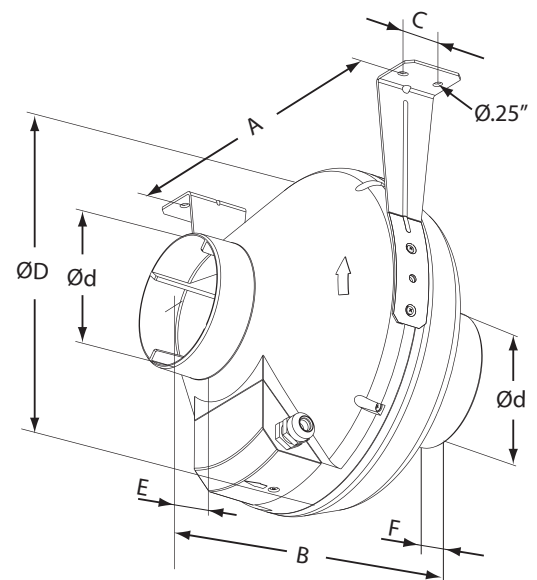
FOR PRE-WIRED WITH 120V POWER CORD, ADD -C TO MODEL.

MODEL	DIMENSIONS IN INCHES*								SHIP WT (lbs)
	DUCT DIA.	ØD	Ød	A	B	C	E	F	
AXP100	4"	9.8	3.9	10.6	9.1	1.2	1.2	1.1	7.0
AXP125	5"	9.8	4.9	10.6	8.7	1.2	1.2	1.1	7.0
AXP150	6"	11.8	5.9	12.2	11.3	1.2	1.2	1.2	8.0
AXP200	8"	13.4	7.9	13.9	10.9	1.6	1.2	1.2	9.0
AXP250	10"	13.4	9.8	13.9	10.4	1.6	1.2	1.2	12.0
AXP300**	12"	15.8	12.3	16.3	16.3	1.6	1.6	2.2	14.0

*DO NOT USE FOR CONSTRUCTION

CONSULT FACTORY FOR CERTIFIED PRINTS

**INCLUDES 2 DUCT REDUCERS TO FIT 12" DUCT



DUCT FANS



MFT & MFT-S Mixed Flow In-Line Fans feature a quiet two-speed motor. The specially designed housing of MFT-S models is optimized with an aerodynamic diffuser and specially designed impeller to produce powerful pressure and airflow.

MFT & MFT-S MIXED FLOW IN-LINE FANS

Features & Benefits

- UV and corrosion resistant, durable plastic housing
- Virtually silent MFT-S models, aerodynamically designed for smooth airflow
- Powerful, compact and quiet mixed flow impeller
- Easy to install - mounting brackets included
- May be mounted in any position
- Ideal for long duct runs
- Fans may be used to supply or exhaust air
- Suitable for air temperatures up to 140 F
- Optional pre-wired with 120V power cord (MFT-C / MFT-S-C)
- Energy efficient two-speed motor
- Single-phase asynchronous motor; IPX4 protection
- Permanently lubricated ball bearing motor for maintenance-free operation
- Automatic reset thermal overload protection
- Fan and motor are precision balanced for quiet, vibration-free operation
- Easy access to motor and impeller; no need to dismantle ductwork

Controls & Accessories ~ pages 24-25

MODEL	RPM		WATTS		AIRFLOW PERFORMANCE (CFM)																			
					0" SP		0.125" SP		0.20" SP		0.25" SP		0.50" SP		0.75" SP		1.0" SP		1.25" SP		1.5" SP			
					High	Low	High	Low	High	Low	High	Low	High	Low	High	Low	High	Low	High	Low	High	Low		
MFT100	3113	2818	36	29.5	105	62	49	41	37	30	32	23	13	2										
MFT125	2600	2350	41	31	126	87	112	64	99	27	46	4												
MFT150	2033	1386	55	29	252	167	233	129	216	75	199	61	78	21	10	-								
MFT200	2116	1622	111	69.5	473	349	450	317	432	294	420	276	352	158	254	32	89							
MFT250	2525	1925	200	130	880	655	873	873	866	630	862	620	816	480	708	330	581	230	450	115	323	10		
MFT300	2419	1914	353	236	1051	830	1020	797	999	770	986	751	914	638	838	496	746	335	632	209	500	109		

MODEL	RPM		WATTS		AIRFLOW PERFORMANCE (CFM)																					
					0" SP		0.1" SP		0.2" SP		0.3" SP		0.4" SP		0.5" SP		0.6" SP		0.7" SP		0.8" SP		0.9" SP		1.0" SP	
					High	Low	High	Low	High	Low	High	Low	High	Low	High	Low	High	Low	High	Low	High	Low	High	Low	High	Low
MFT100S	1994	1500	30	24	146	109	128	88	110	68	88	47	64	22	44	10	21	-	9	-	-	-	-	-	-	
MFT125S	2059	1360	37	25	200	132	183	106	161	80	137	51	93	13	62	-	32	-	0	-	-	-	-	-	-	
MFT150S	2617	1933	66	52	327	240	316	219	299	194	283	171	268	134	247	111	225	86	194	57	138	27	83	7	50	-

WATTS ARE INDICATED AT 0.2" WG STATIC PRESSURE

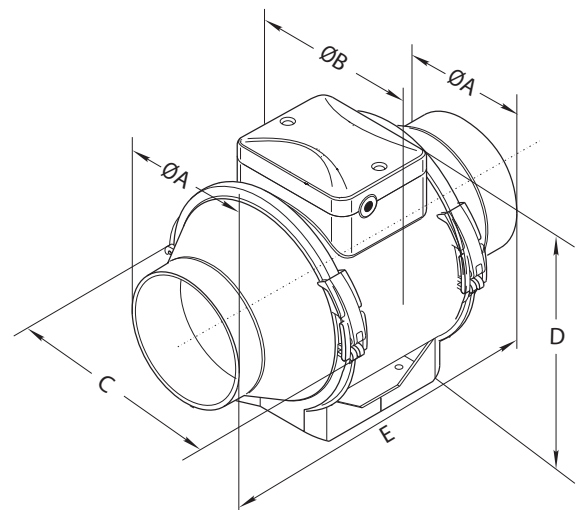
FOR PRE-WIRED WITH 120V POWER CORD, ADD -C TO MODEL.

MODEL	DIMENSIONS IN INCHES*						SHIP WT (LBS)
	DUCT DIA.	ØA	ØB	C	D	E	
MFT100	4"	3.8	5.5	6.6	7.5	9.7	5.0
MFT125	5"	4.8	5.5	6.6	7.5	9.7	5.0
MFT150	6"	5.8	7.7	8.8	9.8	11.6	8.0
MFT200	8"	7.8	8.3	9.4	10.3	11.6	16.0
MFT250	10"	9.8	10.1	11.3	12.7	15.2	20.0
MFT300	12"	12.3	12.7	14.3	16.1	22.9	27.0
MFT100S	4"	3.8	-	7.7	8.9	11.9	5.0
MFT125S	5"	4.8	-	7.7	8.9	10.2	5.0
MFT150S	6"	5.8	-	8.7	9.8	11.4	8.0

*DO NOT USE FOR CONSTRUCTION

CONSULT FACTORY FOR CERTIFIED PRINTS

**INCLUDES 2 DUCT REDUCERS TO FIT 12" DUCT



MBI CENTRIFUGAL IN-LINE FANS



Features & Benefits

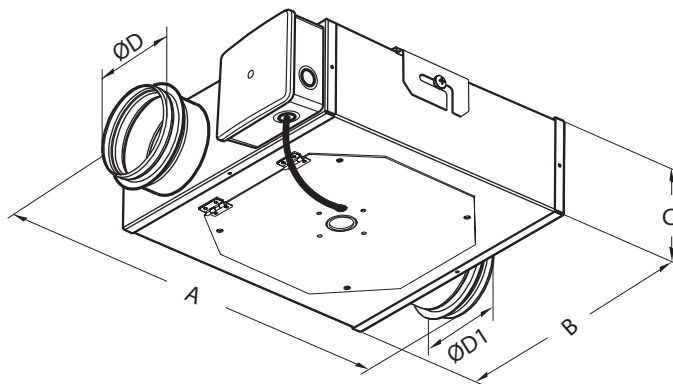
- Steel housing with corrosion resistant finish
- 120V operation, other voltages available
- Removable fan cover for easy maintenance
- Easy to install - mounting brackets included
- Multiple source ducting options
- Fans may be used to supply or exhaust air
- Suitable for air temperatures from -13 F to 140 F
- Energy efficient - speed controllable (optional solid state speed control)
- Exceptionally quiet and efficient BC centrifugal motorized impeller
- Single-phase asynchronous external rotor motor
- Permanently lubricated ball bearing motor for maintenance-free operation
- Automatic reset thermal overload protection
- Fan and motor are precision balanced for quiet, vibration-free operation
- Easily accessible, external junction box with pre-wired capacitor
- Available to fit duct sizes 4", 5" & 6"; airflow capacities to 290 cfm

MBI Centrifugal In-Line Fans are designed for residential and light commercial ventilation applications. Multiple source ducting options offer the perfect solution for whole house ventilation in multi-unit housing complexes.

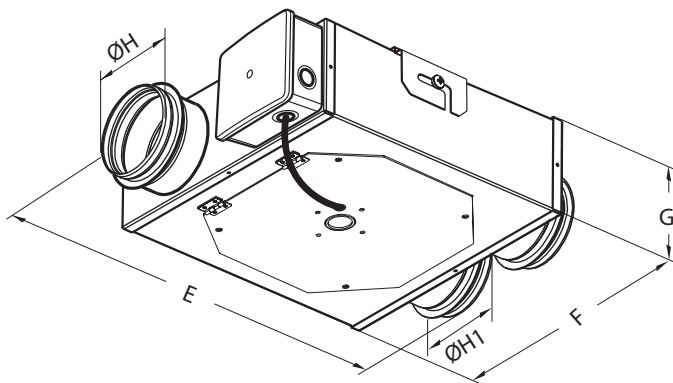
Controls & Accessories ~ pages 24-25

MODEL	WATTS	RPM	AIRFLOW PERFORMANCE (CFM)									
			0" SP	0.125" SP	0.20" SP	0.25" SP	0.50" SP	0.75" SP	1.0" SP	1.25" SP	1.5" SP	1.75" SP
MBI100	105	3090	147	143	139	137	123	110	99	90	76	56
MBI125	113	2920	173	169	165	162	147	126	106	85	58	30
MBI150	110	2020	221	214	206	200	171	145	120	92	65	36
MBI125/100	117	2920	232	225	219	216	197	173	148	125	99	73
MBI150/125	110	2155	290	273	262	252	211	178	146	114	84	57

IN-LINE BOOSTER FAN							
DIMENSIONS IN INCHES*							
MODEL	DUCT DIA.	A	B	C	ØD	ØD1	SHIP WT (lbs)
MBI100	4"	14.3	9.9	4.8	3.9	3.9	12.0
MBI125	5"	16.6	9.9	5.7	4.9	4.9	12.0
MBI150	6"	19.7	11.8	7.1	5.9	5.9	16.0



TWIN INTAKE FAN							
DIMENSIONS IN INCHES*							
MODEL	DUCT DIA.	E	F	G	ØH	ØH1	SHIP WT (lbs)
MBI125/100	5" / 4"	16.6	9.9	5.7	4.9	3.9	12.0
MBI150/125	6" / 5"	19.7	11.8	7.1	5.9	4.9	16.0



*DO NOT USE FOR CONSTRUCTION CONSULT FACTORY FOR CERTIFIED PRINTS



DUCT FANS

EXT EXTERNAL MOUNT DUCT FANS



EXT External Mount Duct Fans offer the perfect solution when space restrictions prevent the use of in-line duct fans. EXT fans provide a simple through-the-wall solution, and can be mounted on the exterior of a building to allow for easy access to the fan.

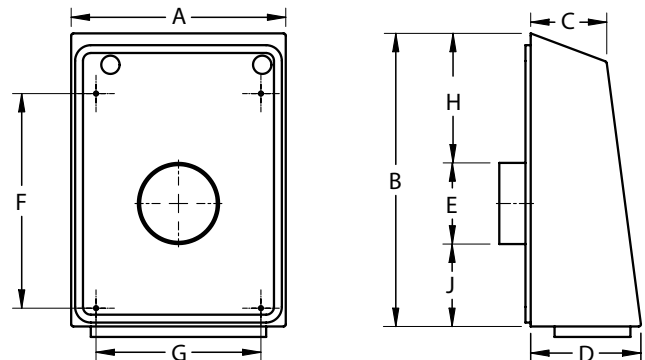
Features & Benefits

- Heavy gauge, galvanized steel housing with baked epoxy finish
- 120V operation
- May be mounted on the exterior of a building
- Enclosed motor housing for dust and lint
- Suitable for air temperatures up to 140 F / 60 C
- Energy efficient - speed controllable (optional solid state speed control)
- Rugged construction for long life
- Built-in backdraft damper
- Exceptionally quiet and efficient BC centrifugal motorized impeller
- External rotor motor design results in superior motor cooling and durability
- Permanently lubricated ball bearing motor for maintenance-free operation
- Automatic reset thermal overload protection
- Fan and motor are precision balanced for quiet, vibration-free operation
- Pre-wired capacitor
- Available to fit duct sizes in 4", 6" & 8"; airflow capacities to 445 cfm

Controls & Accessories ~ pages 24-25

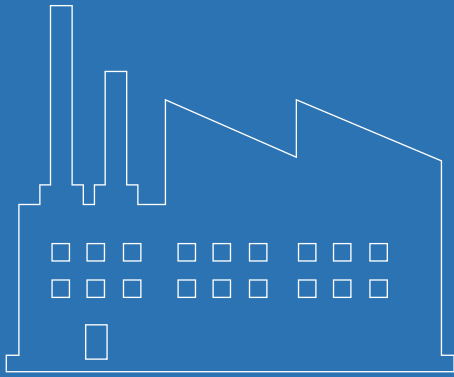
MODEL	WATTS	RPM	AIRFLOW PERFORMANCE (CFM)										
			0" SP	0.1" SP	0.2" SP	0.3" SP	0.4" SP	0.5" SP	0.8" SP	1.0" SP	1.3" SP	1.5" SP	2.0" SP
EXT100A	66	1560	118	101	91	84	72	62	44	28	16		
EXT100B	81	2260	177	163	155	150	140	125	100	72	47	26	
EXT150A	90	2436	227	202	194	186	174	162	130	85	21		
EXT150B	140	2830	396	373	359	350	326	311	268	232	190	149	66
EXT200A	140	2820	445	393	375	358	328	300	254	212	170	119	
EXT200B	186	2310	420	379	366	353	329	298	249	211	172	142	

MODEL	DIMENSIONS IN INCHES*										SHIP WT (lbs)
	A	B	C	D	E	F	G	H	J		
EXT100A	10.2	14.0	3.6	5.2	3.8	10.3	7.9	6.2	3.8	11.6	
EXT100B	10.2	14.0	3.6	5.2	3.8	10.3	7.9	6.2	3.8	11.6	
EXT150A	10.2	14.0	3.6	5.2	5.8	10.3	7.9	5.2	2.8	11.6	
EXT150B	14.2	17.3	3.6	5.2	5.8	12.3	11.6	7.2	4.2	18.0	
EXT200A	14.2	17.3	3.6	5.2	7.8	12.3	11.6	6.3	3.2	18.0	
EXT200B	14.2	17.3	3.6	5.2	7.8	12.3	11.6	6.3	3.2	19.0	

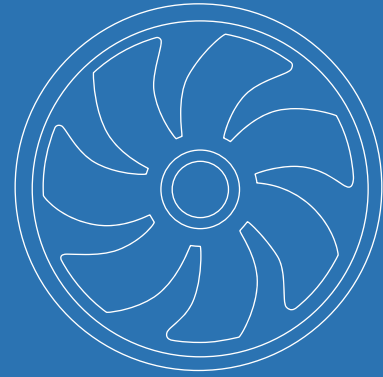


*DO NOT USE FOR CONSTRUCTION CONSULT FACTORY FOR CERTIFIED PRINTS





***Industrial Fans
& Blowers***



***OEM Solutions
& Custom Fans***



***Commercial Fans
& Dampers***



***Residential Fans &
Air Purifiers***



Wholesale Ventilation Products

Continental Fan Manufacturing Inc.
Buffalo, NY ~ Dayton, OH

Continental Fan Canada Inc.
Mississauga, ON

www.continentalfan.com
1-800-779-4021

Distributed by:

