



# GREYSTONE ENERGY SYSTEMS INC

## SPLIT-CORE CURRENT SENSOR SC-650 Series

The SC-650 Series current sensors monitor line current for electrical loads such as pumps, conveyors, machine tools, or fans and output a 0-5 Vdc signal to represent the load current.

The SC-650 require no external power as they are totally powered by induction from the AC line being monitored.

The sensors are typically used to monitor motor operation and can be used to determine motor failure, belt loss, machine feed rates or tool wear.



### SPECIFICATION:

Measurement Range:.....**SC-650-R1:** 0-10/20/50 Amps  
**SC-650-R2:** 0-50/100/150 Amps  
**SC-650-200:** 0-200 Amps

Maximum Input Current:.....**SC-650-R1:** 100 Amps Continuous  
**SC-650-R2:** 150 Amps Continuous  
**SC-650-200:** 250 Amps Continuous

Accuracy:.....**SC-650-R1/R2:** ± 2% FSO (5-100% of range)  
**SC-650-200:** ± 1% FSO (5-100% of range)

Signal Output:.....0-5 Vdc  
 Sensor Power:.....Self-powered  
 Insulation Class:.....600 Vac, insulated conductors  
 Frequency:.....50/60 Hz  
 Response Time:.....200 mS Typical, 0-90 %  
 Output Load:.....1 MΩ typical  
 Loading Error:.....add 0.5% error with 100KΩ  
 Operating Temperature:.....-15 to 60 °C (5 to 140 °F)  
 Operating Humidity:.....5 to 90% RH non-condensing  
 Terminal Block:.....14 to 22 AWG  
 Dimensions:.....76 x 79 x 24.9 mm  
 (3.0 x 3.1 x 0.98 in)  
 Sensor Aperture:.....20.3 mm (0.8 in)  
 Enclosure Material:.....ABS/PC, UL94 V-0  
 Agency Approvals:.....cULus Listed

### PART NUMBER SELECTED

### PRODUCT SELECTION INFORMATION:

MODEL	Product Description
SC-650	Split-core Current Sensor, 0-5 Vdc Output

CODE	Sensing Range	Maximum Input
R1	0-10/20/50 Amps - Switch Selectable	100 Amps Continuous
R2	0-50/100/150 Amps - Switch Selectable	150 Amps Continuous
200	0-200 Amps	250 Amps Continuous

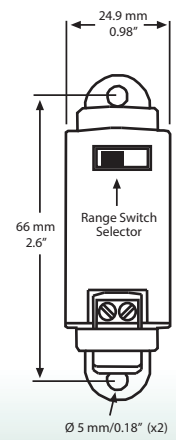
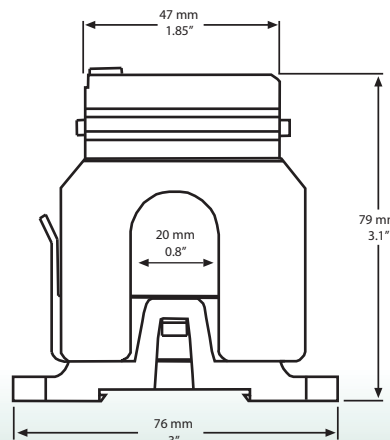
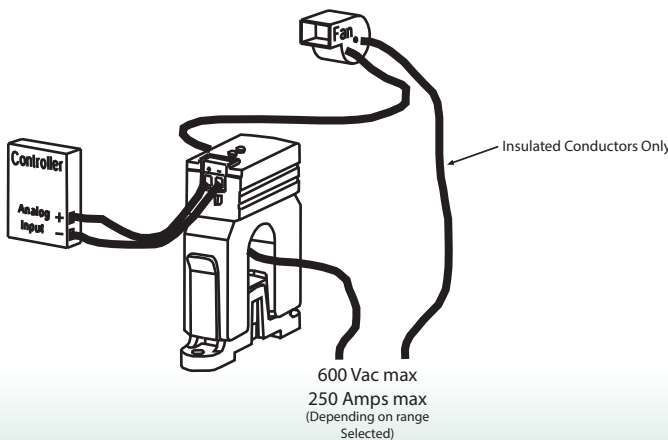
Greystone Energy Systems, Inc. reserves the right to make design modifications without prior notice.

### TYPICAL INSTALLATION:

For complete installation and wiring details, please refer to the product installation instructions.

The SC-650 series must be mounted in an electrical enclosure and has an removeable integral mounting tab to allow either screw mount to a surface or spring mount to a DIN rail.

The SC-650 series has a 2 wire connection to the Building Automation System.



Greystone Energy Systems, Inc.  
 150 English Drive, Moncton, NB  
 Canada E1E 4G7  
 www.greystoneenergy.com

(506) 853-3057 Fax: (506) 853-6014  
 North America: 1-800-561-5611  
 e-mail: mail@greystoneenergy.com

