

Installation Guide

Mounting

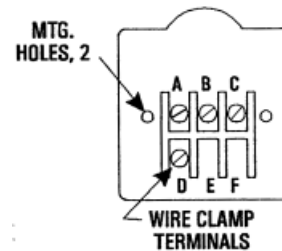
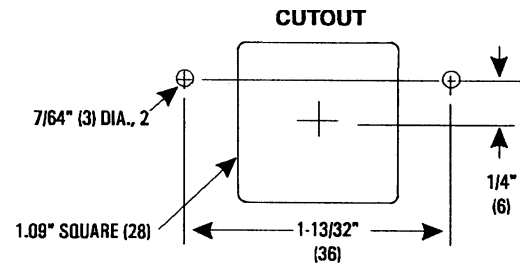
The STE-5000 (almond ABS) and STE-5100 (white ABS) series should be located where they can sense the average room temperature and be unaffected by direct sunlight and drafts. They can be mounted into a hollow wall or to a 2" x 4" handy box.

Hollow wall installation:

1. Remove cover by holding the sensor upright, lifting cover upward then pulling the cover top outward from the base.
2. Cut out a 1.09" square in the wall (see diagram)
3. Attach unit to wall using two 7/64" screws.

Handy box installation:

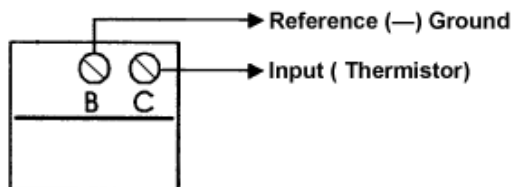
1. Mount a backplate (HMO-5036/5037/5038/5039) to the handy box using the two painted screws provided.
2. Mount the sensor to the plate using two 6-20 self-threading screws (supplied).



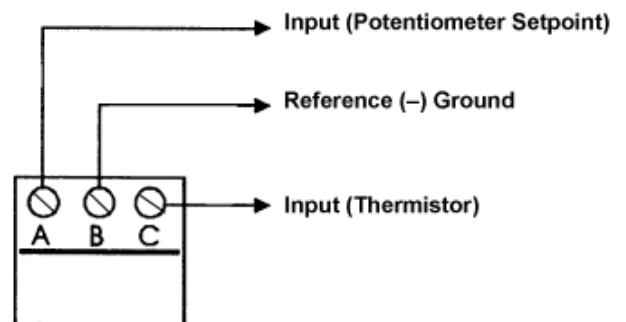
Wiring

Connect wires as shown for your particular model.

STE-5011, 5111, 5016, 5116

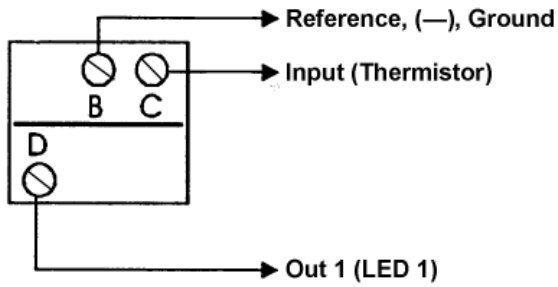


STE-5012, 5021, 5022, 5112, 5121, and 5122

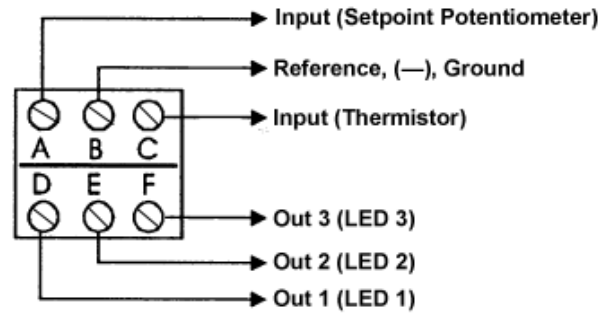


Wiring Continued

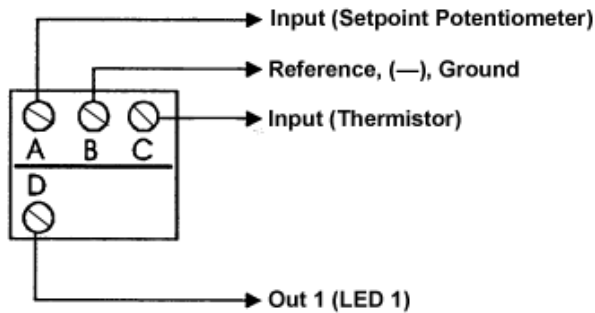
STE-5013, 5113



STE-5015, 5115



STE-5014, 5017, 5114, 5117



Maintenance

No routine maintenance is required. Careful installation will also ensure long term reliability and performance.

KMC Controls
19476 Industrial Drive
New Paris, IN 46553
TEL: 574.831.5250
FAX: 574.831.5252
www.kmccontrols.com