

NEW
added
features

TEI 10 On / Off LCD Electronic Thermostat 24Vac

Description

Two position On/Off electronic room thermostat with digital display and digital key set point. Suitable for controlling heating or cooling valves, fans or other two position devices to maintain an accurate room temperature. Selectable Celsius or Fahrenheit scale by jumper J1. External heating/cooling changeover thermostat or wire jumper can be connected to terminals 4 and 5 to select heating or cooling mode. Economy mode can be implemented by grounding terminal 6 or connecting a contact across terminal 6 and 7. The hand icon will be displayed. Pressing the hand button for 3 seconds will override to a regular mode for a 2 hour period. Optional external 10K NTC type 3 temperature sensor can be connected to terminal 8 and 9 and selected by jumper J2. Full or limited set point adjustment can be set with jumper J3. If using the thermostats for DX cooling an extended delay can be selected with jumper J4.

Specifications

Operating voltage:	24Vac, 50/60Hz, +/- 20%
Power consumption:	Maximum 3Va
Control output:	24Vac, 5Amp
Switching:	1 °F (0.5 °C)
Sensing Element:	NTC Thermistor
Connection terminals:	Use solid wire 22 AWG to 14 AWG
Digital Display:	Temperature in °C or °F, set point, heating or cooling output
Set point range:	50-90°F in 1°F resolution 10-32°C in 0.5°C resolution
Operating temperature:	32-122 °F or 0-50 °C, < 95% RH
Housing cover/base color:	Cover white, base grey
Wall mounting plate:	Color white, mounting holes for European and North American standards, fits 2 x 4 electric box
Optional:	External 10K NTC type 3 thermistor
Shipping weight:	0.5Lbs (0.225 Kg)
Agency approval:	Conforms to CE/ROHS requirements Class 2 as per UL/CSA

Quality, affordable electronic room thermostat with digital display from Spartan

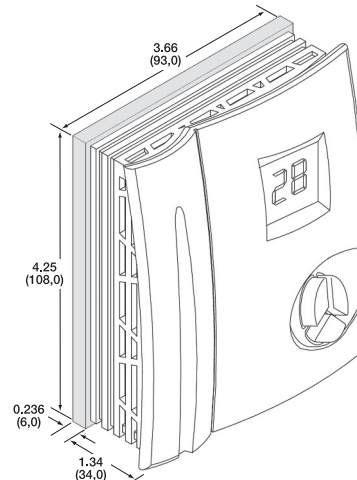
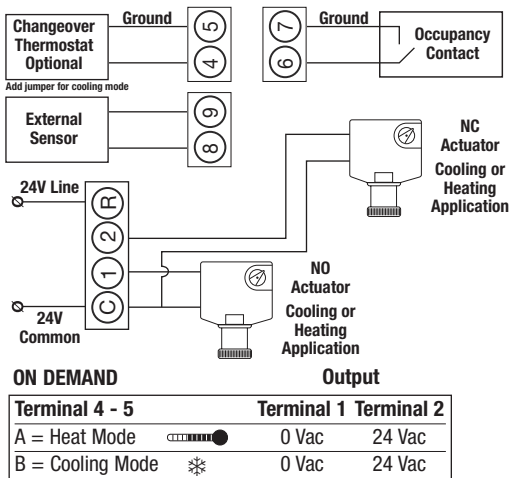


Jumper selections

Pole	ON	OFF
1	°F Scale	°C Scale
2	External sensor	Internal sensor
3	Normal temperature range	Limited temperature range
4	Long delay - 4 minutes	No delay



IMPORTANT: After a setting change, the thermostat must be powered off for the changes to take effect.

Wiring Diagram



Changing the Set Point

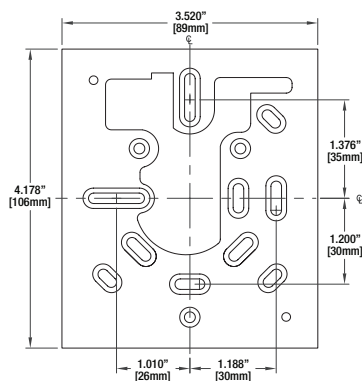
To change set point use the increase or decrease keys. LCD display will illuminate after pressing hand key.

-  When the thermostat is in heating mode a thermometer will appear in the display. It will flash when there is a demand for heat.
-  When the thermostat is in cooling mode a snow flake will appear in the display. It will flash when there is a demand for cooling.

On Power Failure

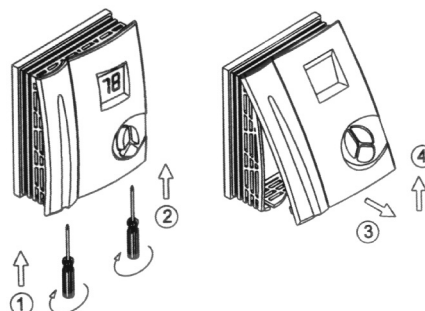
The set-point will remain in the memory.

Mounting Dimensions



TEI 10 Cover Removal

To remove the cover simply remove the screws at the bottom of the unit with a screwdriver (1 and 2). The cover then is removed by pulling it out and then up (3 and 4).



Disclaimer:

The installation and service should be performed by trained personnel. To avoid electric shock ensure the electrical source is switched off.

Installation:

Thermostats can be installed on a standard 20-20 2X4 electric box, or directly on the flat wall surface, and away from the heat source.

Do not expose to water.