

TE112 Two Stage On / Off LCD Electronic Thermostat 24Vac

Description

The TE112 is a two position on / off, electronic room thermostat with digital display and set point. Two stage SPDT outputs are suitable for heating or cooling control of valves, fans or other two position devices to maintain an accurate room temperature. Auto changeover can be achieved by connecting an SPDT strap-on thermostat to the heating / cooling output to create an automatic summer winter change over. Optional external 10K NTC temperature sensor can be connected to terminals T1 and T2.

- **S1** jumper - selectable °C and °F scale
- **S2** jumper - internal or external temperature sensor
- **S3** jumper - deadband, Yes or No
- **S4** jumper - selectable deadband
- **S5** jumper - selectable span

JUMPER CONFIGURATION

Temp. Scale	Sensor	Dead Band		Span
S1 °C	S2 Int.	S3 Yes	S4 1°C (2°F)	S5 1°C (2°F)
°F	Ext.	No	2°C (4°F)	2°C (4°F)

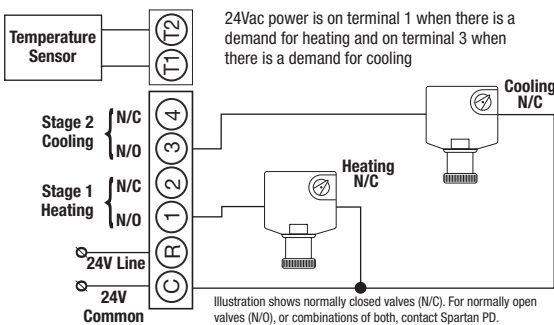
Quality, affordable electronic room thermostat with digital display from Spartan



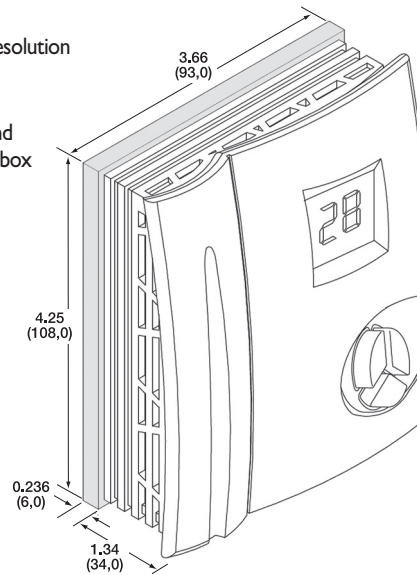
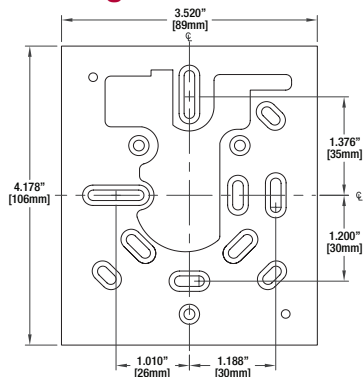
Specifications

- Operating voltage:** 24Vac, 50/60Hz, +/- 20%, maximum 3Va
- Control output:** 24Vac, 5Amp
- Switching:** 1 °F (0.5 °C)
- Sensing Element:** NTC Thermistor
- Connection terminals:** Use solid wire 22 AWG to 14 AWG
- Digital Display:** Temperature in °C or °F, set point, heating or cooling output
- Set point range:** 40-95°F in 1°F resolution, 5-35°C in 0.5°C resolution
- Operating temperature:** 32-122 °F or 0-50 °C, < 95% RH
- Housing cover/base color:** Cover white, base grey
- Wall mounting plate:** Color white, mounting holes for European and North American standards, fits 2 x 4 electric box
- Optional:** External 10K NTC type 3 thermistor
- Shipping weight:** 0.5Lbs (0.225 Kg)
- Agency approval:** Conforms to CE/ROHS requirements Class 2 as per UL/CSA

Wiring Diagram



Mounting Dimensions



Changing the Set Point

To change set point use the increase or decrease keys. LCD display will illuminate after pressing hand key.

☀ When the thermostat has a demand for heating, a thermometer will appear in the display.

❄ When the thermostat has a demand for cooling a snow flake will appear in the display.

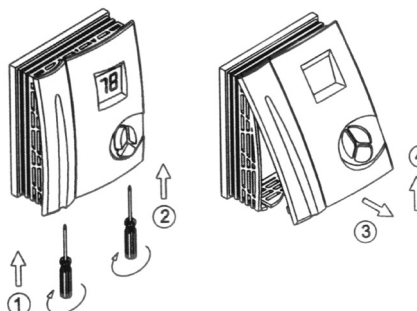
On Power Failure

After power is restored, the set-point will return to the last setting.

Cover Removal

TE112 Cover Removal Instructions

To remove the cover simply remove the screws at the bottom of the unit with a screwdriver (1 and 2). The cover then is removed by pulling it out and then up (3 and 4).



Disclaimer:

The installation and service should be performed by trained personnel. To avoid electric shock ensure the electrical source is switched off.

Installation:

Thermostats can be installed on a standard 20-20 2X4 electric box, or directly on the flat wall surface, and away from the heat source. **Do not expose to water.**