

## TEI I2H Room and Duct Type 2 Stage High Temperature Range 2 position ON/OFF LCD Electronic 24V Thermostat

### Description

Two stage two position ON/OFF electronic thermostat with digital set-point and display with high temperature range 40 - 130°F (5 - 55°C), can be used as a room controller with internal sensor, or as a duct thermostat with an optional external 10K sensor.

Suitable to control single or two stage heating elements with selectable span and differential setting (see instruction sheet) to suit the most demanding applications. Set point can be limited to a narrow range by the use of jumper no 3.

### Specifications

- Operating voltage:** 24Vac, 50/60Hz, +/- 20%, maximum 3Va
- Relay Rating:** 24Vac, 2Amp
- Accuracy:** ±1 °F, (0.5 °C)
- Resolution:** 1 °F, (0.5 °C)
- Sensing Element:** NTC Thermistor
- Connection terminals:** Use solid wire 22 AWG to 14 AWG
- Digital Display:** Temperature and set point in °C or °F, will show flashing icon on heating demand
- Temp. control range:** 40-130°F, (5-55°C)
- Temperature display:** 32-140 °F, (0-60 °C)
- Operating temperature:** 32-104 °F or 0-40 °C, < 95% RH
- Housing cover/base color:** Cover white, base grey
- Wall mounting plate:** Color white, mounting holes for European and North American standards, fits 2 x 4 electric box
- Optional:** External 10K NTC type 3 thermistor
- Shipping weight:** 0.5Lbs (0.225 Kg)
- Agency approval:** Conforms to CE/ROHS requirements Class 2 as per UL/CSA



Quality, affordable electronic room thermostat with digital display from Thermolec

### DIP switches

Internal DIP switches selects the following features

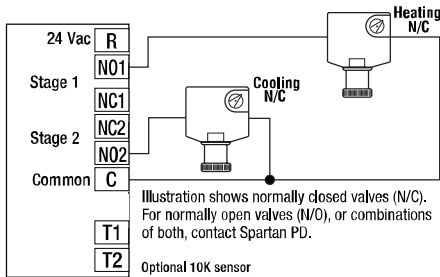


Pole	OFF °C	ON °F
1	Internal sensor	External sensor
2	Limited set point range	Normal set point range
3	Span selection	Span selection
4	Switch Differential selection	Switch Differential selection
5		
6		
7		

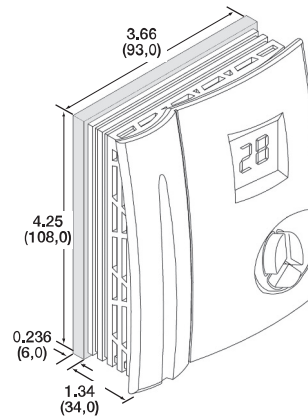
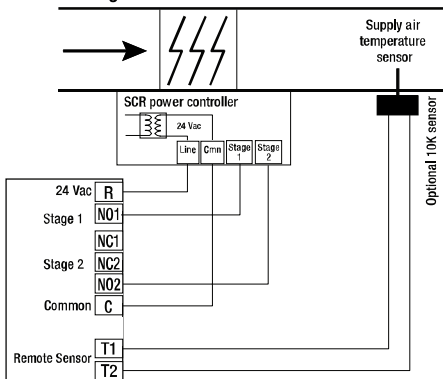
### Wiring Diagram

#### Discharge Air or Room Control for Control Valves

24Vac power is on terminal NO1 when there is a demand for heating and on terminal NO2 when there is a demand for cooling



#### Discharge Air or Room Control of Electric Heating



#### Changing the Set Point

To change set point use the increase or decrease keys. LCD display will illuminate after pressing hand key for 10 seconds.

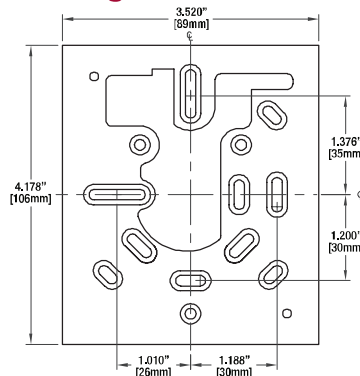
#### Output icon

- Stage 1 heating is turned on, LCD displays icon
- Stage 2 heating is turned on, icon will be flashing
- All output is off, no icon will be shown

#### On Power Failure

After power is restored, the set-point will return to the last setting.

### Mounting Dimensions



#### Disclaimer:

The installation and service should be performed by trained personnel. To avoid electric shock ensure the electrical source is switched off.

#### Installation:

Thermostats can be installed on a standard 20-20 2X4 electric box, or directly on the flat wall surface, and away from the heat source.  
**Do not expose to water.**